



## Features

- Meets NEMA 12 (IP52) when hinged door is snapped in place.
- Meets NEMA 4 (IP67) when door is clamped by an M3 screw.
- Fits most 1/8 DIN panel meters
- Utilizes existing 1/8 DIN cutout -- no extra panel holes required.
- Made of high-impact polycarbonate.
- Hinged door for easy access to instrument
- Low cost

## Description

**Model RTC Panel Meter Cover** is a rugged, impact resistant, clear lens that fits over a 1/8 DIN instrument to make it dust and water proof from the front of the panel. Sealing meets NEMA 12 (IP52) standards for water splash and dust protection when the hinged door is simply snapped in place. Sealing meets NEMA 4 (IP67) standards for hose-directed water when the hinged door is further clamped down with a provided M3 x 10 mm screw.



*Model RTC Splashproof Cover*

**Model RTC** fits most 1/8 DIN size panel meters, as well as instruments from other manufacturers, provided that the instrument dimensions in front of the panel do not exceed 48 x 97 x 27mm (1.89" x 3.82" x 1.06"). Model RTC can be purchased as an add-on option for new instruments, or be fitted to existing installations.

**The RTC assembly** comes with a black base (or mounting frame) and a clear door with a cam hinge. The hinge is captive when the

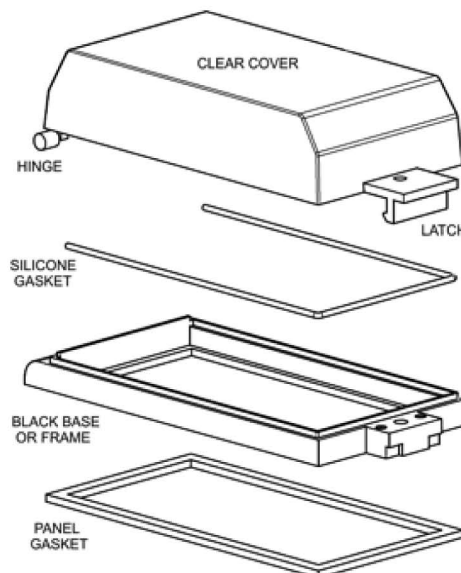
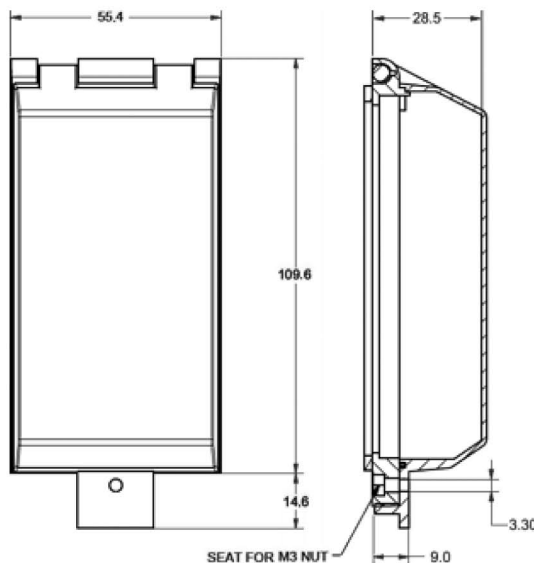
base and meter are installed, and allows the door to be opened for easy access to the meter for programming or setpoint adjustment. The base and clear door each come with an integral gasket for a watertight and dust-tight fit. No loose gaskets need to be installed.

**The clear door** is latched to the base by a locking tab when the door is snapped shut. A more secure lock which withstands hose directed water is achieved by locking down the tab with an included M3 hex screw and nut. The nut is held on all sides in a hexagonal cavity in the backside of the black base.

**Model RTC is easy to install.** It utilizes the existing 1/8 DIN panel cutout (45 x 92 mm). No new panel holes are required. The black base can be oriented so that the clear door opens to the right or left.



*Box2 wall-mount enclosure with RTC panel meter cover  
Suitable for 1/8 DIN instruments up to 160 mm deep.*



## Specifications

<b>Mechanical</b>	
Instrument panel cutout	1/8 DIN, 45 x 92 mm (1.77" x 3.62")
External dimensions, base	124.2 x 55.4 x 8.0 mm (4.89" x 2.18" x 0.31")
External dimensions, door	124.2 x 54.0 x 23.0 mm (4.89" x 2.13" x 0.91")
Protrusion in front of panel	31 mm (1.22")
Sealing, clear door to cover base	Silicone gasket integral with door
Sealing, base to instrument panel	Gasket integral with base
Provision for assembly integrity	Door is captive when IPC assembly is panel mounted
<b>Materials</b>	
Base	Black polycarbonate
Clear door	Transparent polycarbonate.
<b>Sealing Performance</b>	
Door snapped in place	NEMA 12 (IP52) protection, dust and splashed water.
Door locked by M3 locking screw	NEMA 4 (IP67) protection against hose-directed water.

## Ordering Guide

<b>RTC</b>	Add-On Splashproof Front Cover for 1/8 DIN Meters. Sealed to IP67 / NEMA-4.
------------	---